

Berlin

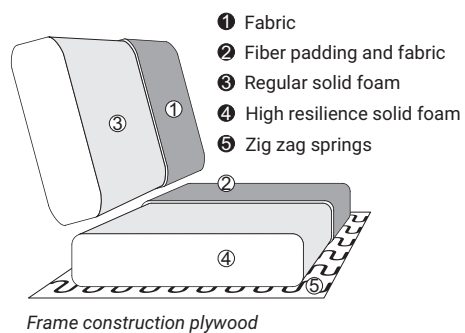


Berlin



Comfort

Legs



Furniture features in symbols



- Seat and back cushions are fixed to the frame.



- Fabric

GRAFU reserves the right to change construction of products and components used due to improving durability of product and customer satisfaction without any further notice. Upholstered furniture is handmade using soft materials there fore measurements may vary up to +/- 3cm. Slight colour variations may occur between production batches. For technological reasons variations in color shades are acceptable.