

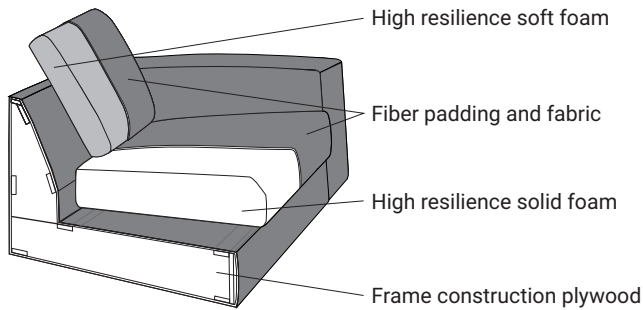
# Oro



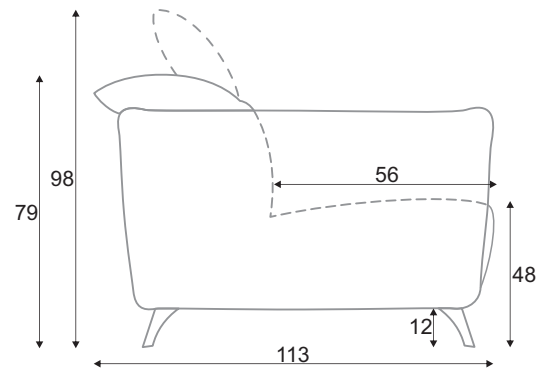
# Oro



## Comfort

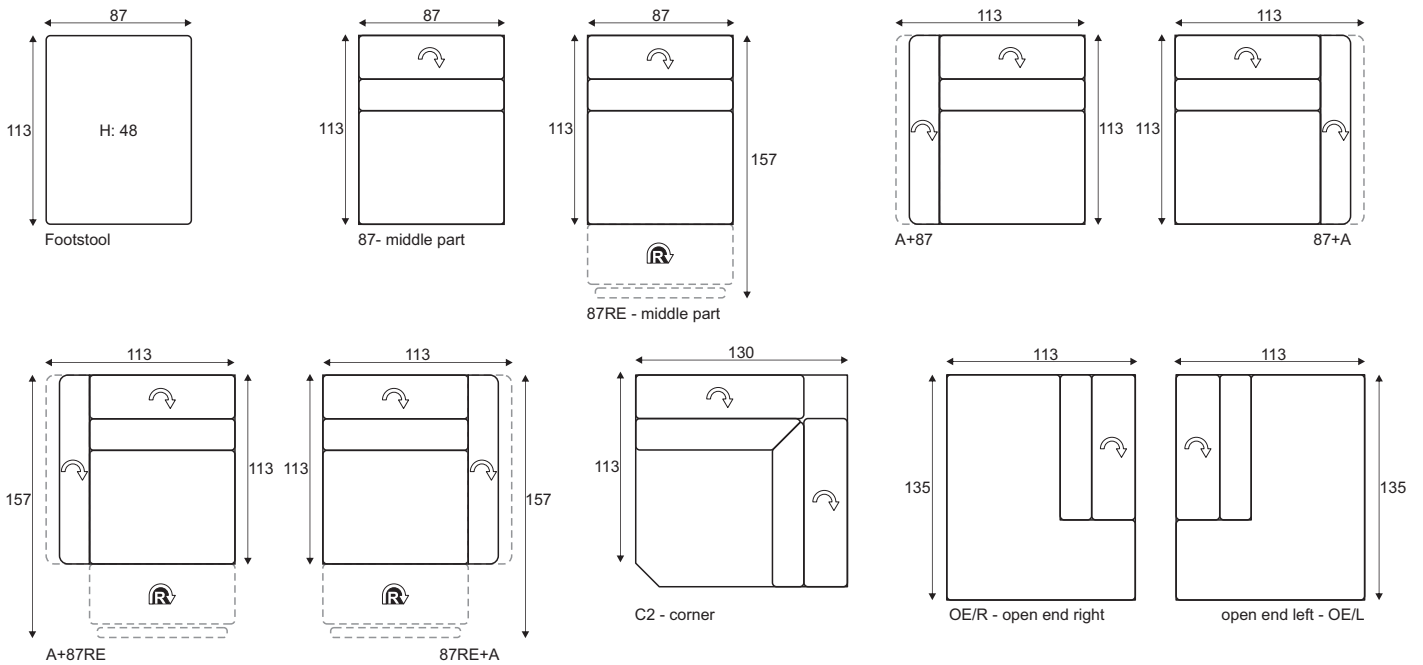


## Extra dimensions



## Modules

- recliner - manual



## Furniture features in symbols



- Seat and back cushions are fixed to the frame.



- Fabric



- Modular system



- Recliner sofa



- Removable cover for loose cushions.  
(For maintenance please check fabric information.)

GRAFU reserves the right to change construction of products and components used due to improving durability of product and customer satisfaction without any further notice. Upholstered furniture is handmade using soft materials there fore measurements may vary up to +/- 3cm. Slight colour variations may occur between production batches. For technological reasons variations in color shades are acceptable.