

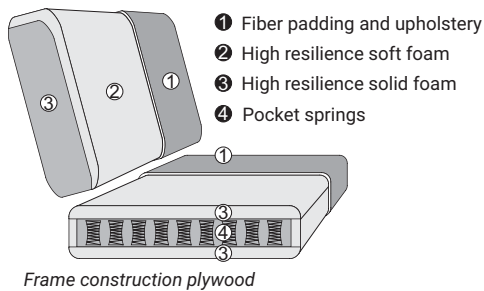
Lorenzo



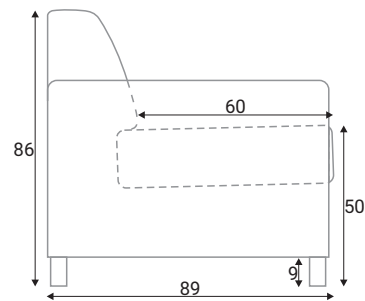
Lorenzo



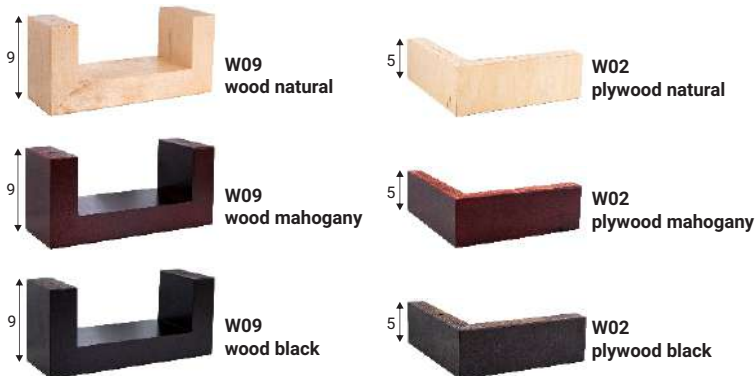
Comfort



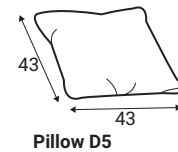
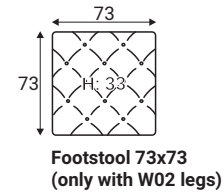
Extra dimensions



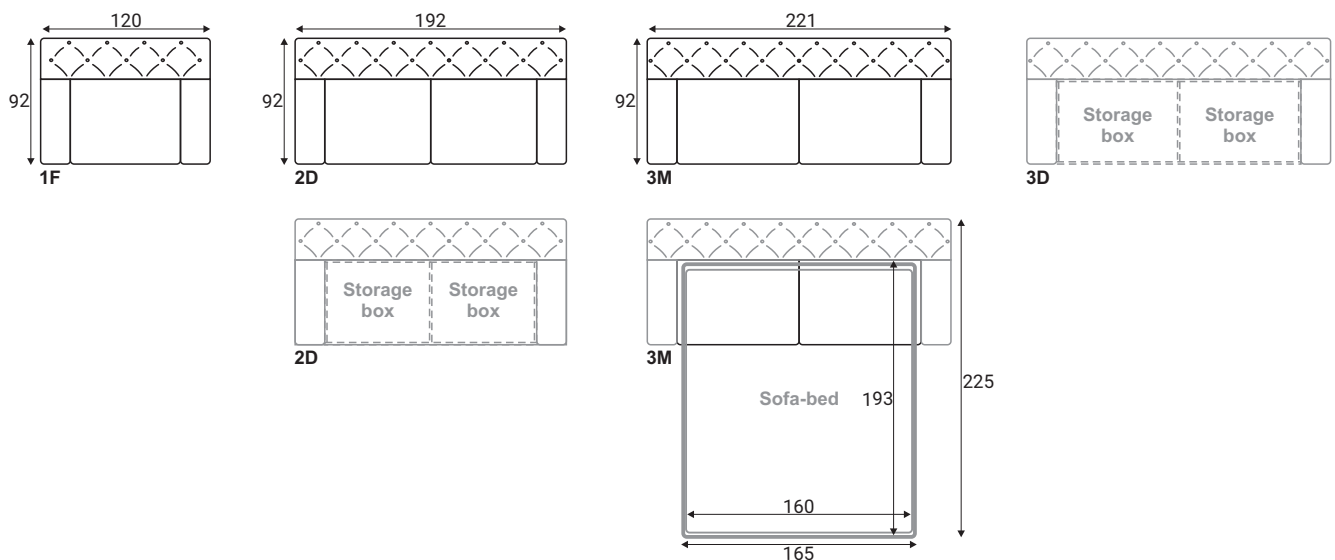
Legs



Accessories



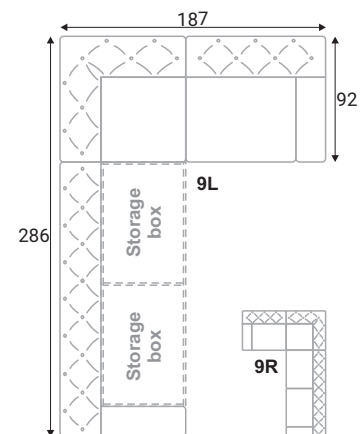
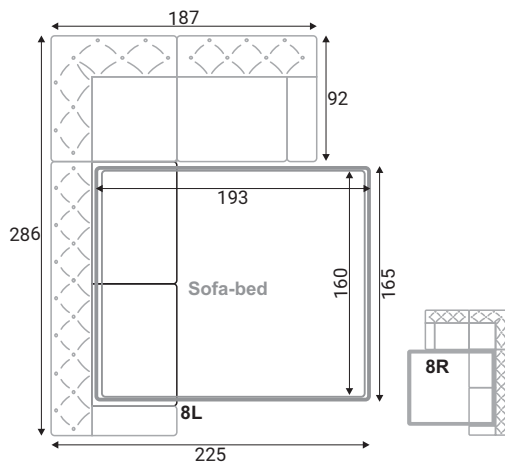
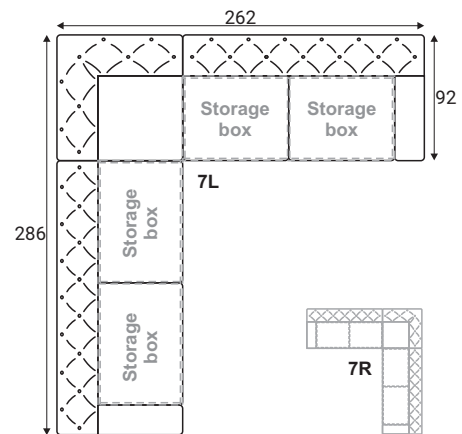
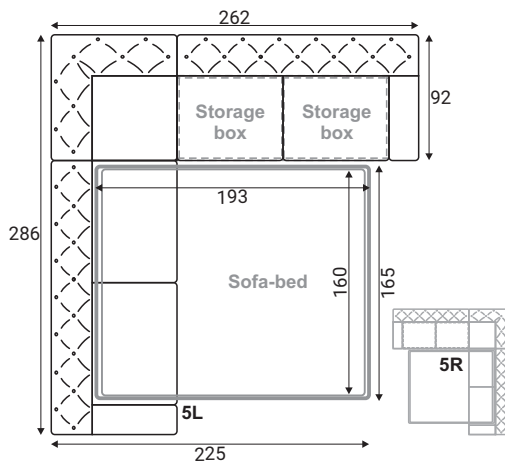
Standard sets



Lorenzo



Standard sets



Furniture features in symbols



- Fixed back and loose seat.



- Sofa bed, sleeping mechanism.



- Fabric.



- Removable cover for loose cushions.
(For maintenance please check fabric information.)



- Bonnell pocket springs.

GRAFU reserves the right to change construction of products and components used due to improving durability of product and customer satisfaction without any further notice. Upholstered furniture is handmade using soft materials there fore measurements may vary up to +/- 3cm. Slight colour variations may occur between production batches. For technological reasons variations in color shades are acceptable.